

The F300 system checks stabilizers contactlessly for various characteristics in only a few seconds. Therefore, the stabilizer is fixed either manually or by robot on a prism on a stable base construction. The camera and the laser scanner move simultaneously along the flattened end and provides high precision results.

Quality Control

Characteristics

Thickness of the flat end

Width of the flat end

Leg width

Leg length

Drilling diameter

Bridge measure

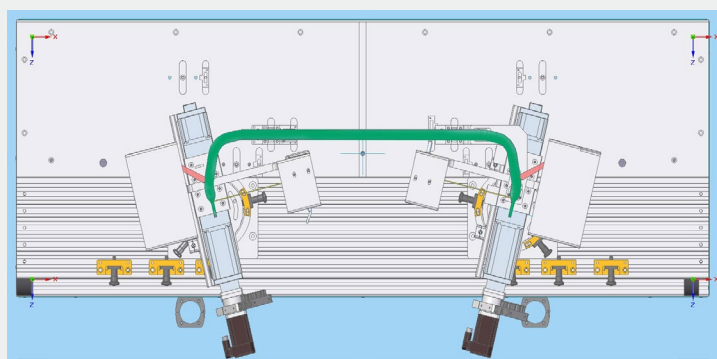
Interlacing

Angle of flat ends

further characteristics on demand

Characteristics:

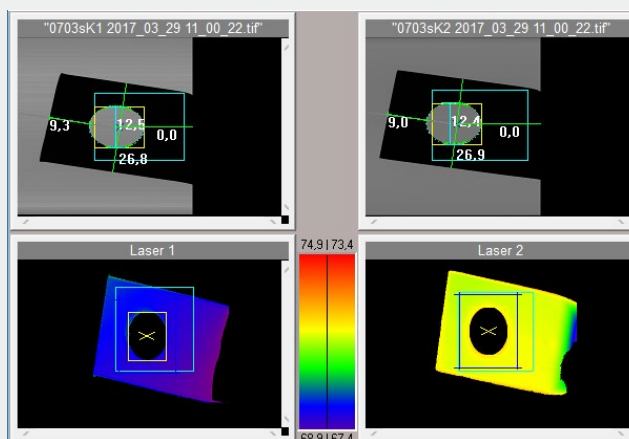
- password protected test management
- integrated sensor calibration
- storage of measurement results in an Excel readable format
- table and trend graphic for every characteristic
- fast retrofitting with setup master pieces
- easy adjustment to each stabilizer type



View onto the measurement table with inserted stabilizer

TYP:	A: 5up	ArtikelNr.:		
Nr.:	2	AuftragsNr.:	as	
		Messwert	Messwert inaktiv	
	Sollwert: Toleranz:	1-links:	2-rechts:	
Blattbreite:	29,900 +2,0 / -2,0	26,829	26,851	<input checked="" type="checkbox"/>
Stegmaß:	9,200 +1,0 / -1,0	9,289	8,990	<input type="checkbox"/>
Durchmesser:	12,200 +0,5 / -0,0	12,503	12,385	<input checked="" type="checkbox"/>
Blattwinkel horiz:	10,000 +5,0 / -5,0	9,6°	9,8°	<input type="checkbox"/>
Blattwinkel vert.:	0,000 +5,0 / -5,0	0,4°	-0,7°	<input checked="" type="checkbox"/>
Schenkellänge:	201,400 +3,0 / -3,0	206,285	201,348	<input type="checkbox"/>
Schenkelweite:	861,663 +3,0 / -3,0	863,767		<input type="checkbox"/>
Verschränkung:	0,000 +2,0 / -2,0	1,414		<input type="checkbox"/>

Overview of measurement results in the software



Screenshot of camera and laser recording